

general data/description

created: 07.09.2016 / 02

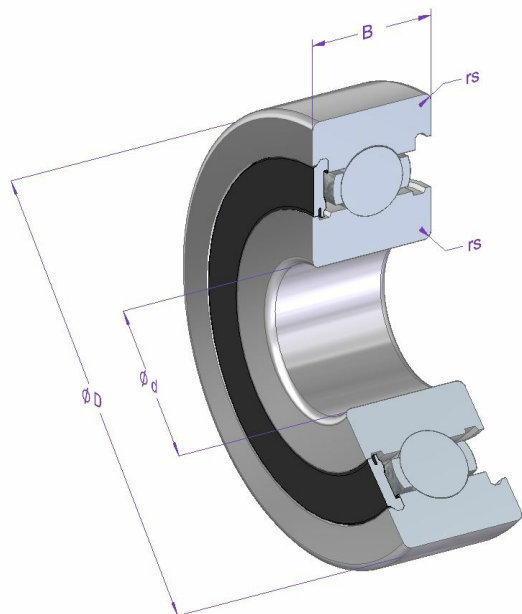
page: 1 / 1

article 6004 RS **Art-No.** 42007 **brand** SKA **weight/kg** 0.069

description

6004 Size
RS Sealing washer on one side,
 touching

dimensions and tolerances



dimension	Description	[mm]	tolerance [µm]	DIN/ISO
d	nominal inner diameter	20	0 / -10	620-2
D	nominal outer diameter	42	0 / -11	620-2
B	width	12	0 / -120	620-2
rs min.	minimal chamfer dimension	0.6		625-1

calculation and operating data

load ratings	dynamic C [N] 9380	fatigue load limit load Cu [N] 260	DIN/ISO static Co [N] 281 5020	DIN/ISO 76
speed of rotation limit	reference n [1/min]	grease n [1/min] 11000	oil n [1/min] 12000	
operating temperature	max. [°C] 120	min. [°C] -20		
bearing clearance	radial min. [µm] 5	max. [µm] 20		
bearing clearance	axial min. [µm]	max. [µm]		

material specification

description	material	DIN/ISO	hardness
Inner ring	100Cr6	683-17	58-65
Outer ring	100Cr6	683-17	58-65
Balls	100Cr6	683-17	58-65
Cage	St12		
Sealing washer	St12/NBR		

All information in this document was provided and checked carefully. Nevertheless, we can not assume any liability for incomplete or faulty information.