

general data/description

created: 31.03.2020 / 01

page: 1 / 1

article 7004 A TVP DB BI4 **Art-No.** 50594 **marque** SKA **weight/kg** 0.155

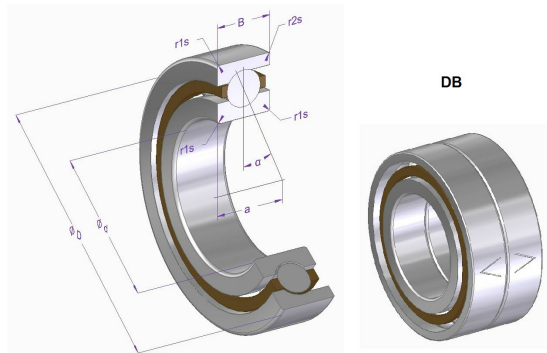
description

7004 Size
A Pressure angle
TVP Plastic cage
DB Layout

greasing

BI4 KLUEBER ISOFLEX NBU 15

dimensions and tolerances



dimension	Description	[mm]	tolerance [µm]	DIN/ISO
d	nominal inner diameter	20	0 / -6	620-2
D	nominal outer diameter	42	0 / -7	620-2
B	width	12	0 / -120	620-2
r1s min.	minimal chamfer dimension	0.6		628-6
r2s min.	minimal chamfer dimension	0.3		628-6
a	load application point	~14.9		
alpha	contact angle	30°		

calculation and operating data

load ratings					speed of rotation limit	operating temperatur	
dyn. fatigue		static			grease	max. min.	
C	Cu	Co		n			
[N]	[N]	DIN/ISO	[N]	DIN/ISO	[1/min.]	[°C]	[°C]
10300	310	281	6080	76	18000	120	-20

material specification

description	material	DIN/ISO	hardness
Inner ring	100Cr6	683-17	58-65
Outer ring	100Cr6	683-17	58-65
Balls	100Cr6	683-17	58-65
Cage	PA66+GF25		

All information in this document was provided and checked carefully. Nevertheless, we can not assume any liability for incomplete or faulty information.